



Semi-recessed Spotlight

BP41



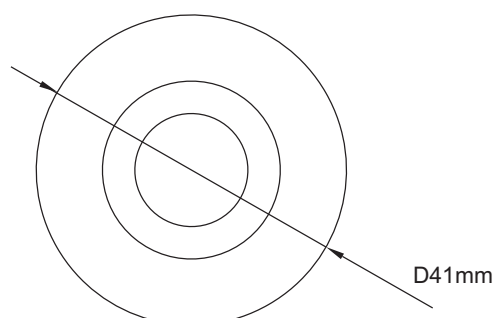
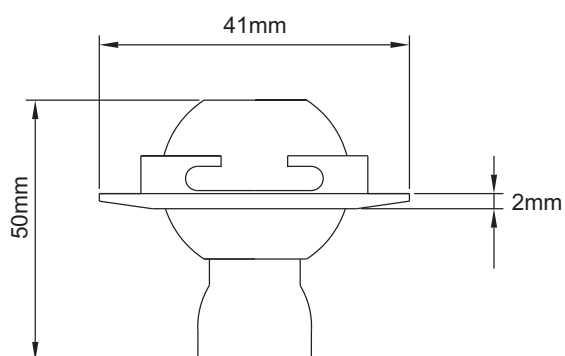
- Adjustable between spot for highlighting and flood for a general wash of light. (10° – 40°)
- Available as standard in powder coated black or white and anodised aluminium (natural).
- Also available by request. Powder coated to any RAL colour or colour anodised.
- Adjustable 45° from vertical.
- Can be fitted with a range of effect and colour gels.

Specification

Material: Aluminium with glass lens. Cut out diameter 35mm. Angle of tilt 45° from vertical.

Finishes: Powder coated, anodised.

The BP41 is designed to be used with either a 12.5mm (LH125) or a 25mm(LH250) Lensed cowl as per sketch.



Ordering Codes

Powder coated in White	BP41-01
Powder coated in Black	BP41-02
Anodised Aluminium (natural)	BP41-03
Powder coated in any RAL colour	Please ring for details
Anodised colour	Please ring for details



Photo shows BP41 complete with LH125 lensed cowl.