



Recessed Downlight

DL32F

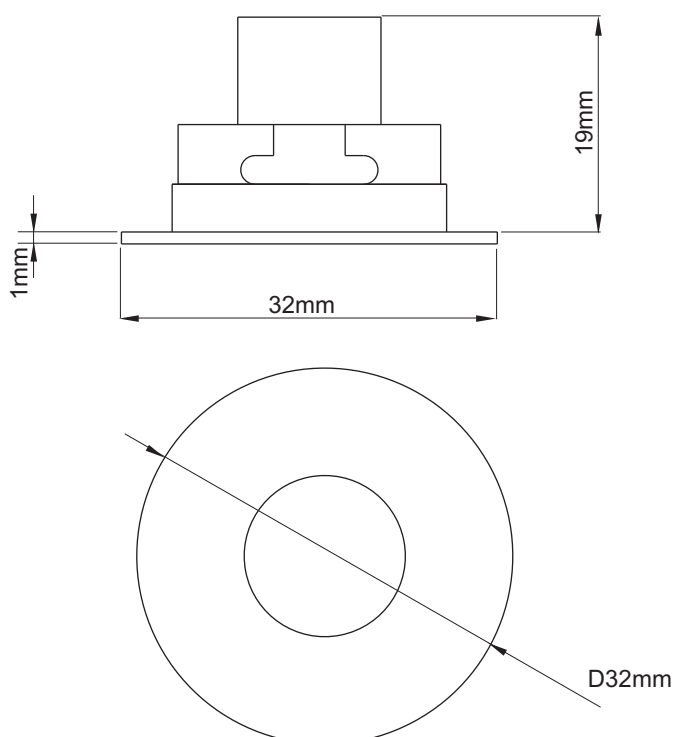


- Adjustable between spot for highlighting and flood for a general wash of light. (20° – 60°)
- Available as standard in powder coated black or white and anodised aluminium (natural).
- Also available by request. Powder coated to any RAL colour, colour anodised, chrome or brass.
- Can be fitted with a range of effect and colour gels.

Specification

Material: Aluminium or Brass with glass lens.
Cut out diameter 25mm

Finishes: Powder coated, anodised, chrome, polished brass



Ordering Codes

Powder coated in White	DL32F-01
Powder coated in Black	DL32F-02
Anodised Aluminium (natural)	DL32F-03
Polished Brass	DL32F-04
Polished Chrome	DL32F-05
Powder coated in any RAL colour Please ring for details	
Anodised colour Please ring for details	

