



Recessed Adjustable Downlight

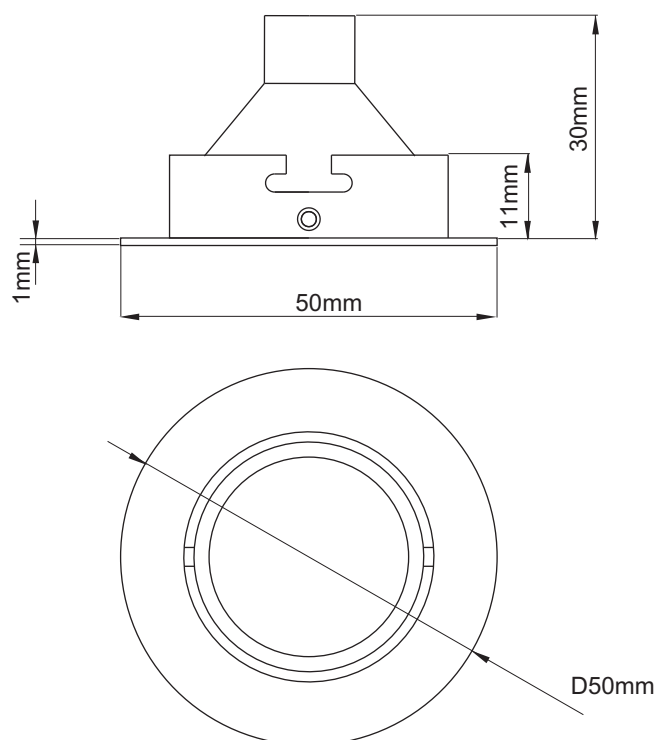
DL50

- Adjustable between spot for highlighting and flood for a general wash of light. (10° – 40°)
- Available as standard in powder coated black or white and anodised aluminium (natural).
- Also available by request. Powder coated to any RAL colour, colour anodised, chrome or brass.
- Adjustable 40° from vertical.
- Can be fitted with a range of effect and colour gels.

Specification

Material: Aluminium or Brass with glass lens.
 Cut out diameter 38mm.
 Angle of tilt 40° from vertical

Finishes: Powder coated, anodised, chrome, polished brass



Ordering Codes

Powder coated in White	DL50-01
Powder coated in Black	DL50-02
Anodised Aluminium (natural)	DL50-03
Polished Brass	DL50-04
Polished Chrome	DL50-05
Powder coated in any RAL colour Please ring for details	
Anodised colour Please ring for details	

