



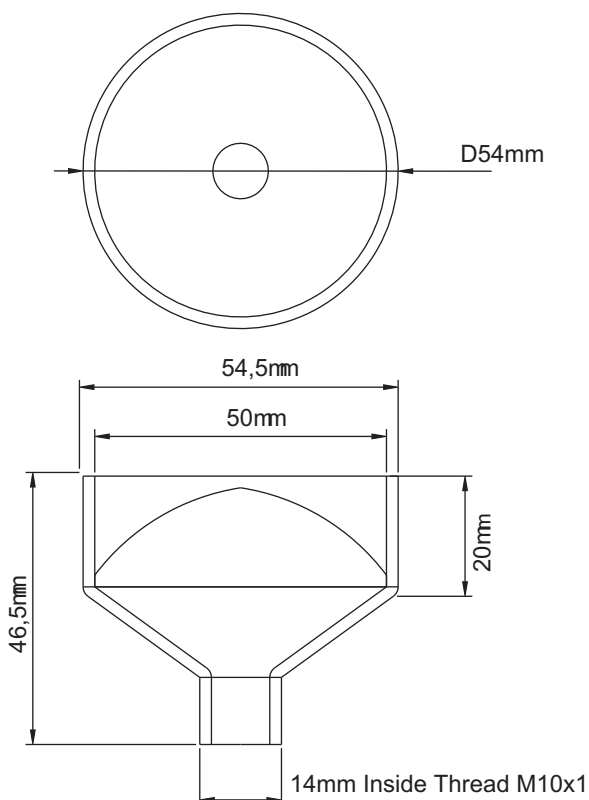
50mm lens and lens holder

LH500



- Adjustable between ultra tight spot and narrow beam setting. (5° – 17°).
- Available as standard in powder coated black or white and anodised aluminium (natural).
- Also available by request. Powder coated to any RAL colour, colour anodised, chrome or brass.
- Can be fitted with a range of effect and colour gels.

Specification



Ordering Codes

Powder coated in White	LH500-01
Powder coated in Black	LH500-02
Anodised Aluminium (natural)	LH500-03
Powder coated in any RAL colour Please ring for details	
Anodised colour Please ring for details	

